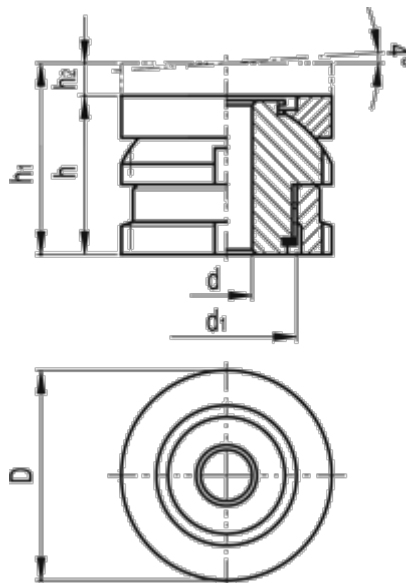


Article number: 203502582270ST

Description: E+G Levelling sets GN 350.2-58-22-70-ST

Measures



C-spanner DIN 1810 = A58-62

d = 22

D = 58

d1 = M40x1.5

For screw = M20

h = 70

h1 = 102

h2 = 32

Max static load (kN) = 148

Static preload (kN) = 59.08

Weight (g) = 1110